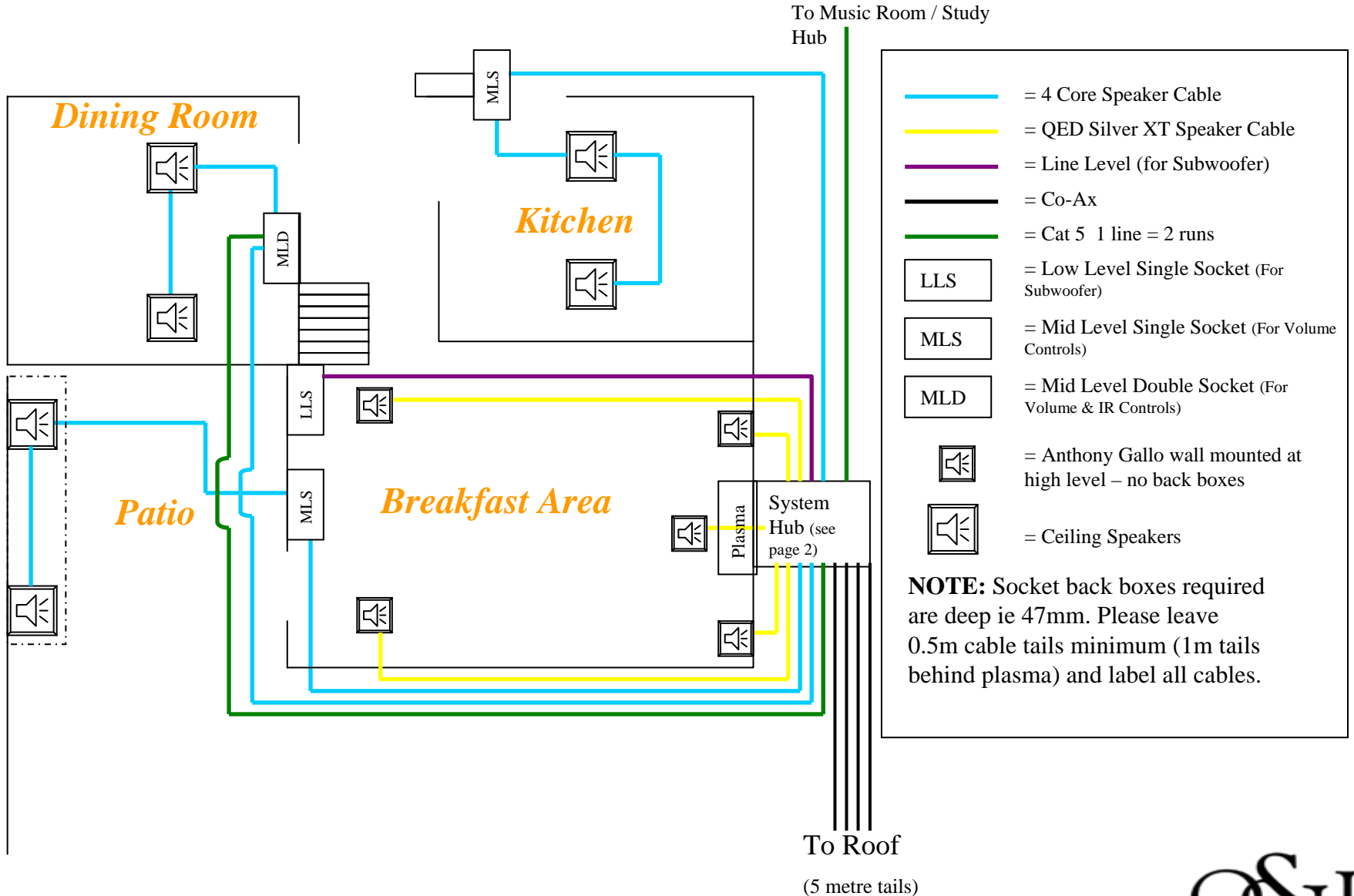


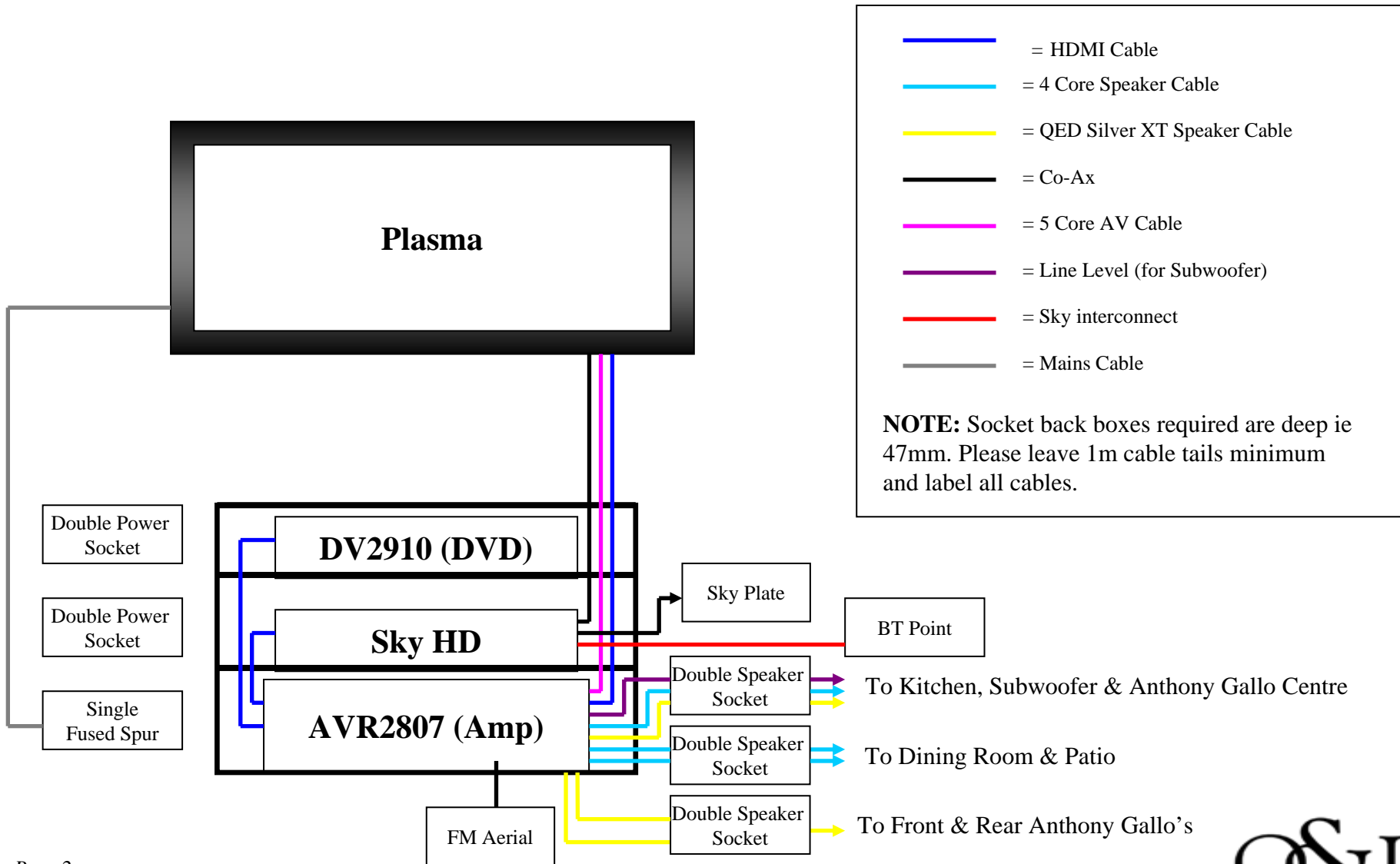


Ground Floor – Zone 1 a,b,c & d





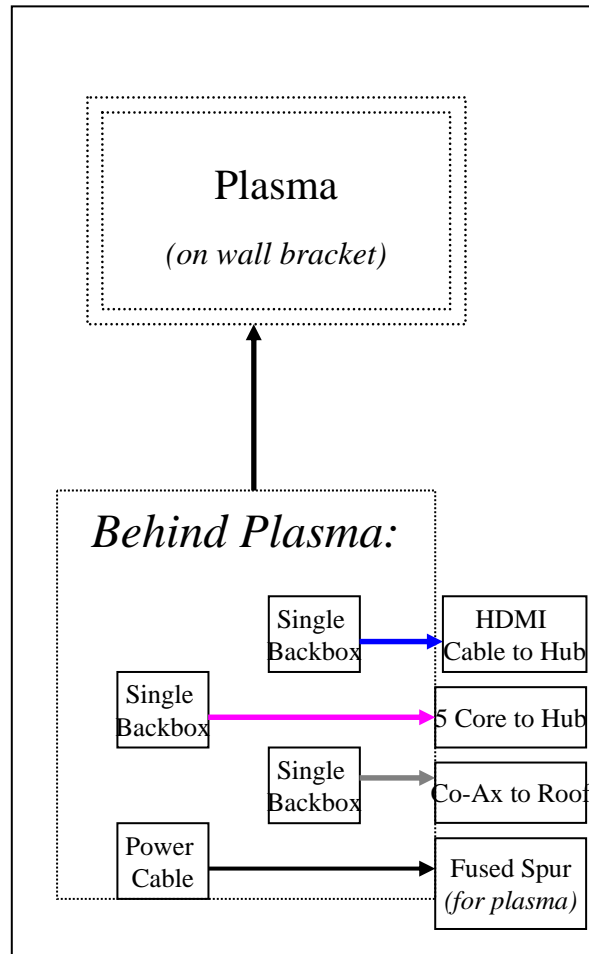
Extension - Ground Floor





Screen Connections

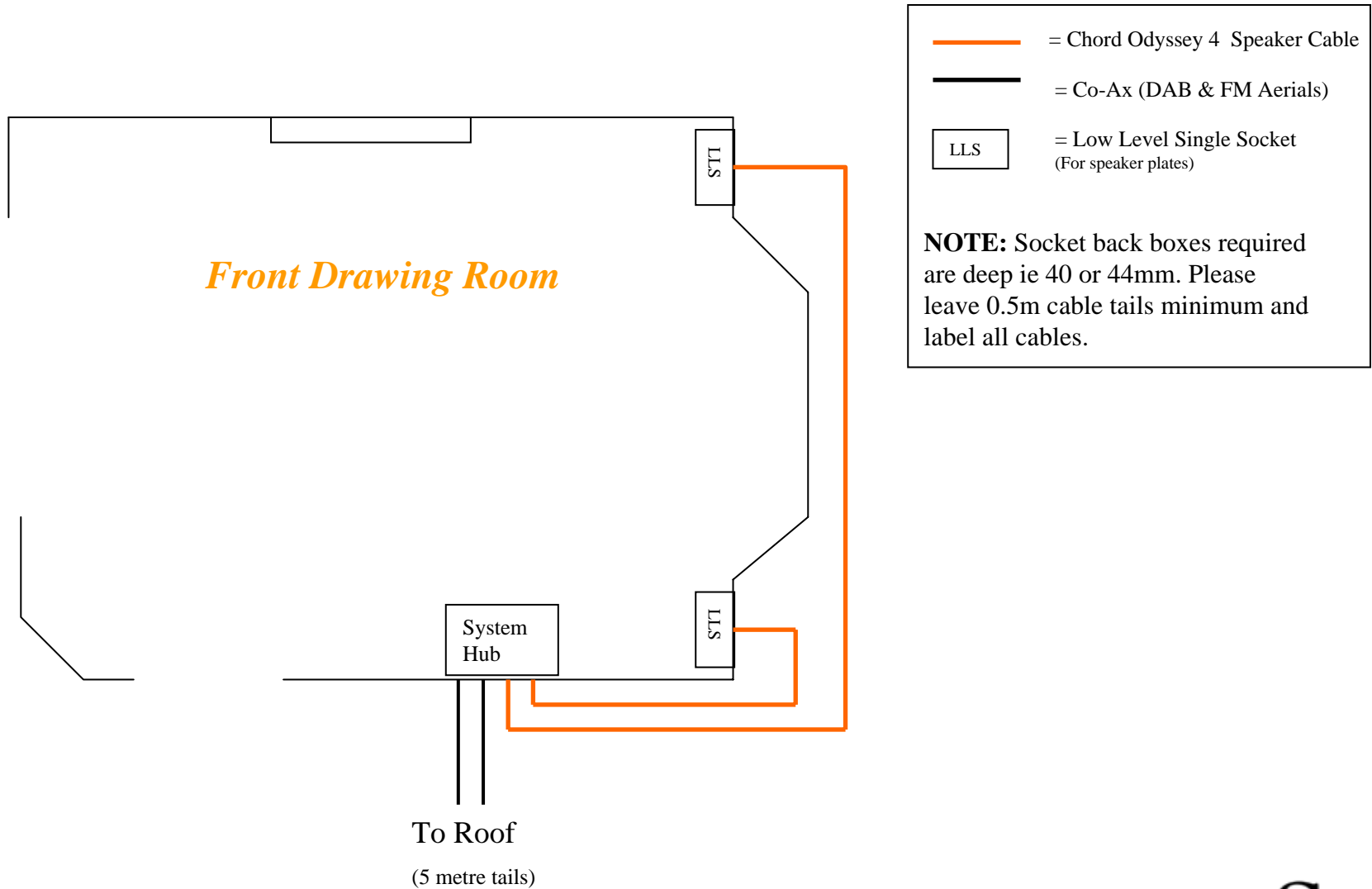
Breakfast Room



NOTE: All back boxes should be extra deep (47mm). Cable Tails should be 1 metre

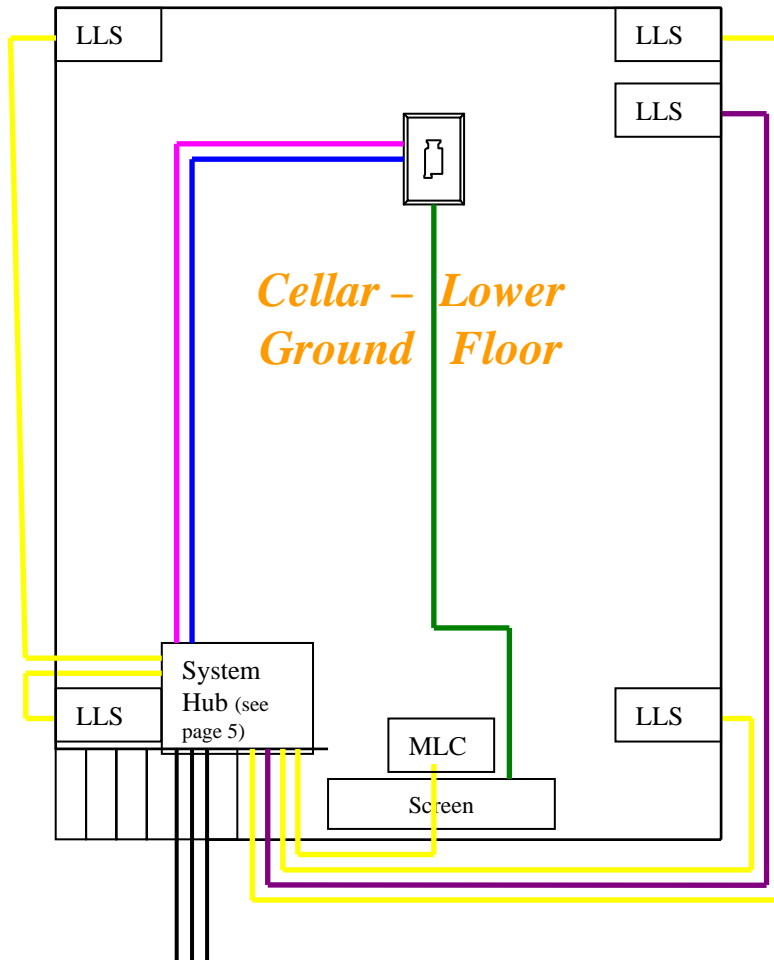


Ground Floor – Zone 2





Lower Ground Floor – Zone 3



To Roof (5 metre tails)

Colour Codes

- = QED Silver XT Speaker Cable
- = Line Level
- = 5 Core AV Cable
- = HDMI Cable
- = Cat 5 1 line = 2 runs
- = Co-Ax

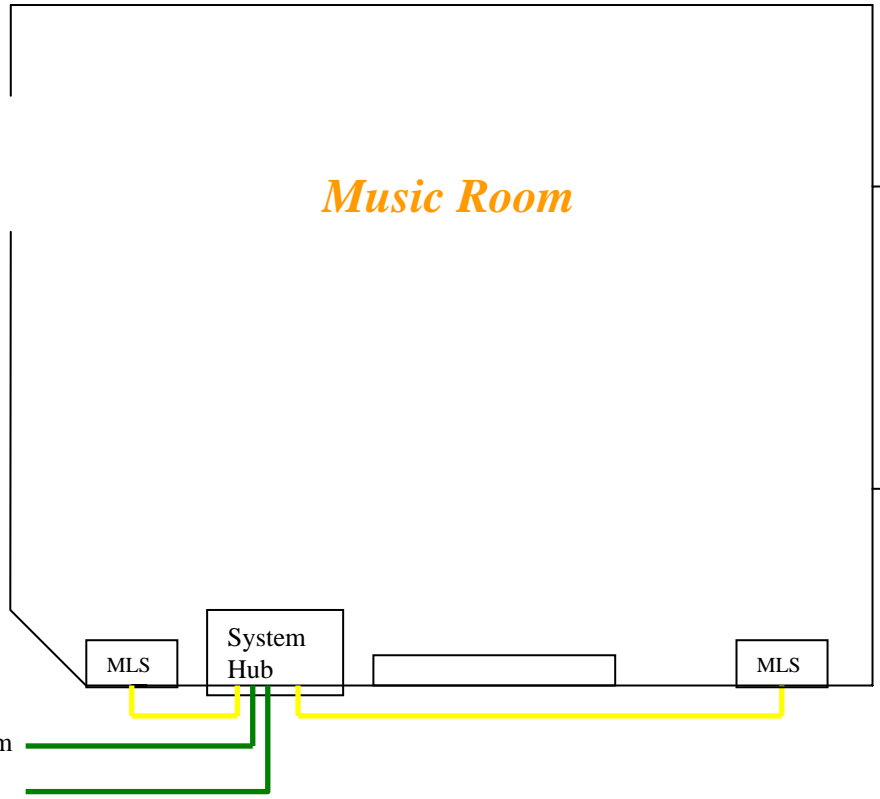
- LLS = Low Level Single Socket (For speaker plates)
- MLC = Mid Level Cable Point (no back box) – 1 metre tail

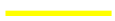
NOTE: Centre speaker can be wall mounted or on a stand – if on a stand replace MLC with LLS. Please label all cables.






Ground Floor – Zone 4



 = QED Silver XT Speaker Cable

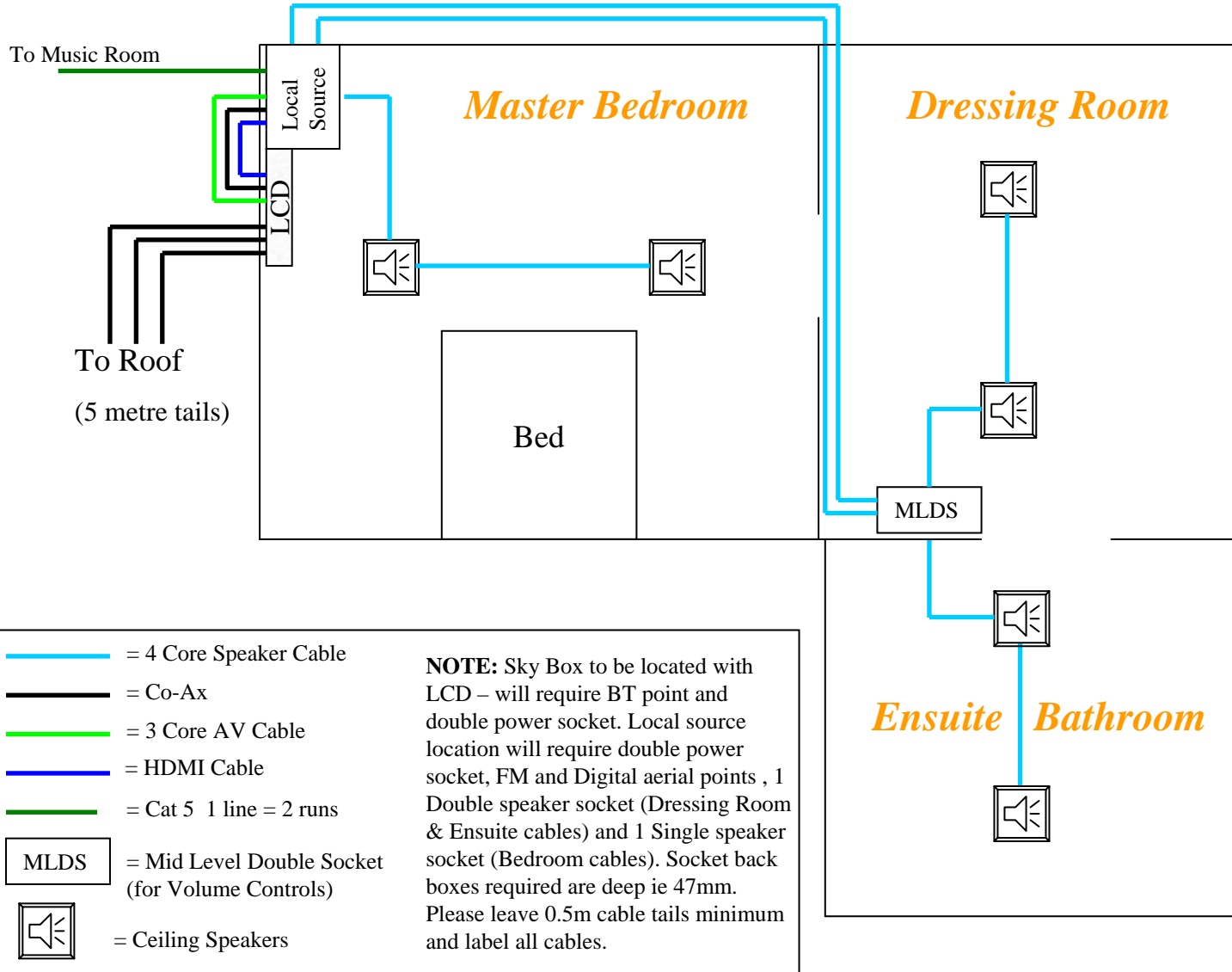
 = Cat 5 1 line = 2 runs

 = Mid Level Single Socket

NOTE: Socket back boxes required are deep ie 47mm. Please leave 0.5m cable tails minimum and label all cables.



Master Bedroom Suite – First Floor – Zone 5





Equipment Dimensions

Equipment	Actual Width (mm)	Actual Depth (mm)	Actual Height (mm)		Req'd Width (mm)	Req'd Depth (mm)	Req'd Height (mm)
AVR350	433	420	145		473	530	185
DV79	430	350	85		470	430	125
DV2910	434	101	322		474	180	362
AVR2807	434	429	171		474	529	211
ZP100	260	210	112		300	260	140
ZP80	139.7	136	74		180	186	110
CDX2	432	314	87		472	374	127
NAP 200	432	314	87		472	374	127



Equipment Dimensions

Equipment	Actual Width (mm)	Actual Depth (mm)	Actual Height (mm)		Req'd Width (mm)	Req'd Depth (mm)	Req'd Height (mm)
NAC 202	432	314	87		472	374	127
XPS	432	314	87		472	374	127
DT91	435	320	85		475	380	125
RA06	435	342	92		475	400	132
SKY HD	390	280	70		430	350	110